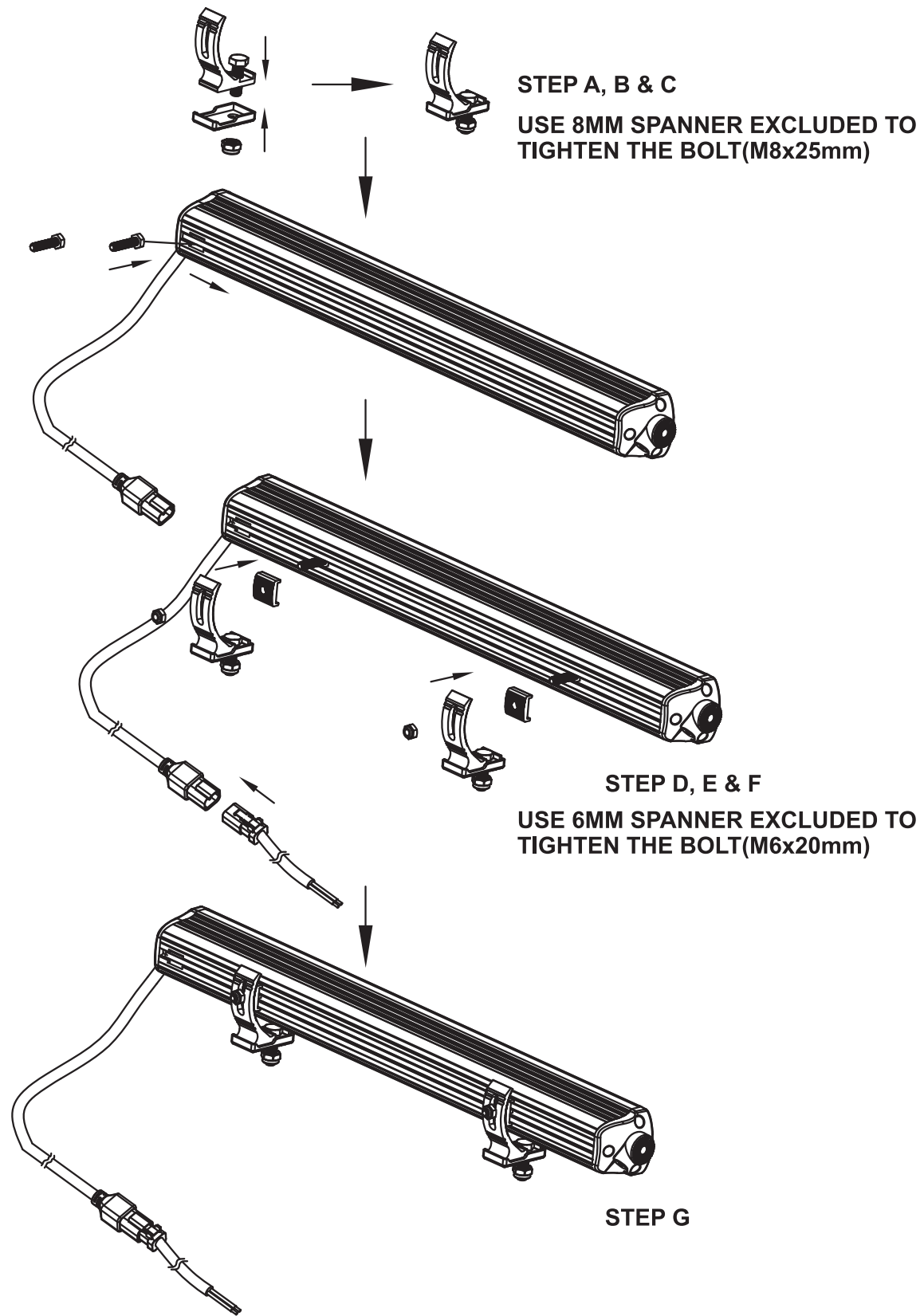


3.Attached mounting brackets as shown(for bottom brackets):

- A. The long bolt sit in the mounting feet with the head locked into the specialized grooves
- B. Use the included rubber pad to ensure a secure fit
- C. Tighten the bolt
- D. Insert the slide hardware into the selected channel by inserting it through the opening on the back of the body(make sure the placement of slide hardware like direction as below picture)
- E. The remaining components can then be assembled into the bolt to secure the mounting foot to the light bar
- F. Put mounting feet on the back of the housing and make sure the short bolt can go through the hole of both slide hardware and mounting feet
- G. Tighten the short bolt with the washer to ensure a secure fit.



21x29.7cm

3. Vehicle Mounting

Light bars can be mounted using the supplied mounting feet or tube clamps & brackets are available (NOT INCLUDED) for bar mounting applications. When using mounting feet, be fitted symmetrically about the center of the light and positioned towards the ends of the light bar to reduce overhand.

Ensure the mounting location for fitment of the light/s to the vehicle is flat, stable, and sufficiently strong and has enough clearance around the light to avoid damage to the vehicle from any movement during installation and use. If drilling is required for mounting, ensure raw edges are coated with corrosion resistant paint or inhibitor.

4. Wire Harness Connection

We recommend the use of wiring kit which is pre-assembled for ease of fitment. Be careful to properly route and secure all wiring to prevent causing damage to wiring and/or vehicle. Fuse appropriately for both lights and wiring.

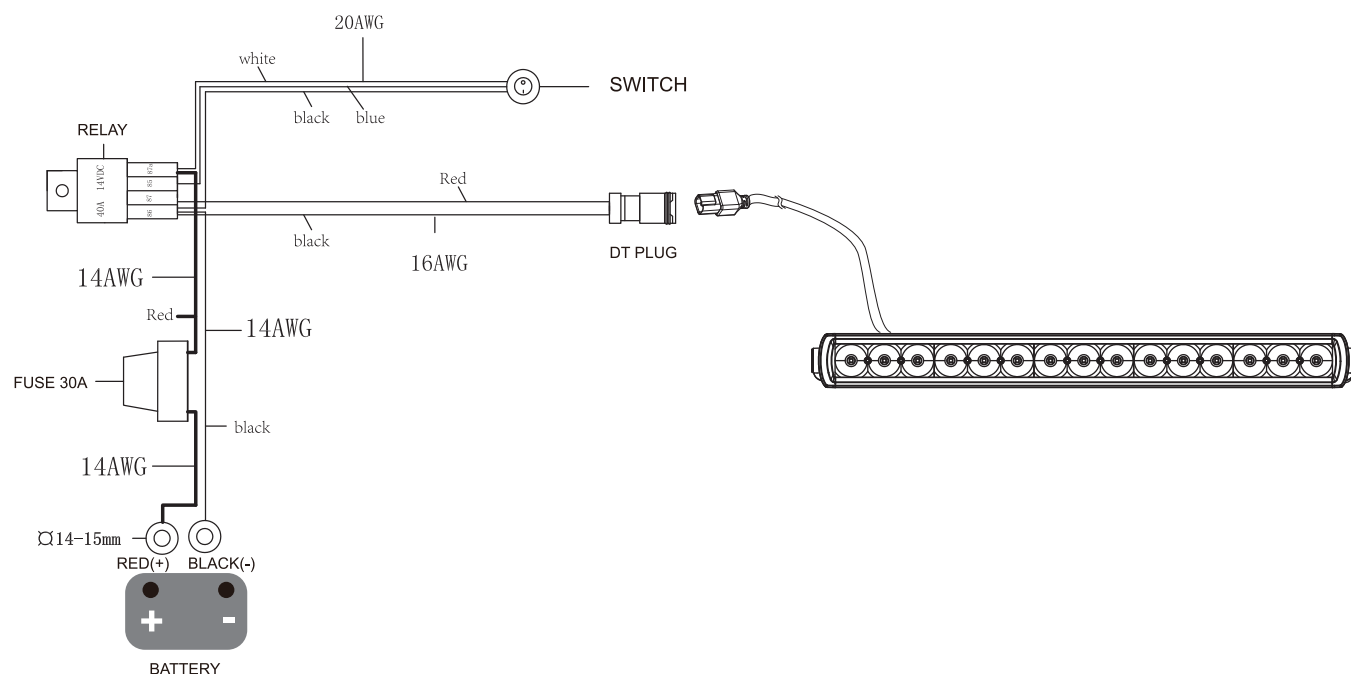
- Install the switch inside the vehicle cabin in a convenient location.
- Drill or locate a mounting hole for the relay.
- Secure the relay to the previously drilled hole using a sheet metal screw.
Tightened screw

NOTE: The relay should be installed with the terminals facing down and available higher position. This reduces the possibility of water entry.

- Connect the switch and light wires to the relay. Check that all connections are secure at this time.
- Attached the red wire to positive (+) 12 volt DC battery terminal.
- Attached the large black wire to the negative (-) 12 volt DC battery terminal.

NOTE: Before connect wire to 12 volt DC battery ensure the switch at close (Off) position.

- Use wire ties to secure the wires to the vehicle and/or bundle the excess harness wire together.
- Re-attached the vehicle battery cables, positive (+) and negative (-).
- Always secure the positive (Red) wires and Negative (Black) wires are connected in the correct polarity. The light will not operate if incorrect polarity is used; however, it has reverse polarity protection built in to ensure there is no damage if this occurs.



Troubleshooting

LIGHT DOES NOT LIGHT

- Make sure switch is in "ON" position (Switch is "I", not "O")
- Check in-line fuses
- Make sure all connections are tight and not loose
- Check wiring to make sure it is not damaged
- Check voltage input on red wire of pigtail across black wire of pigtail
- Check fuse box (If switch is connected to it)
- Make sure the Positive (Red) wires are connected in the (+) polarity of battery

⚠ WARNING: This product can expose you to chemicals including lead and lead compounds, Di(2-ethylhexyl)phthalate (DEHP), which are known to the State of California to cause cancer, and chemicals including Di-n-butyl Phthalate (DBP), which are known to the State of California to cause birth defects or other reproductive harm.
For more information go to www.P65Warnings.ca.gov